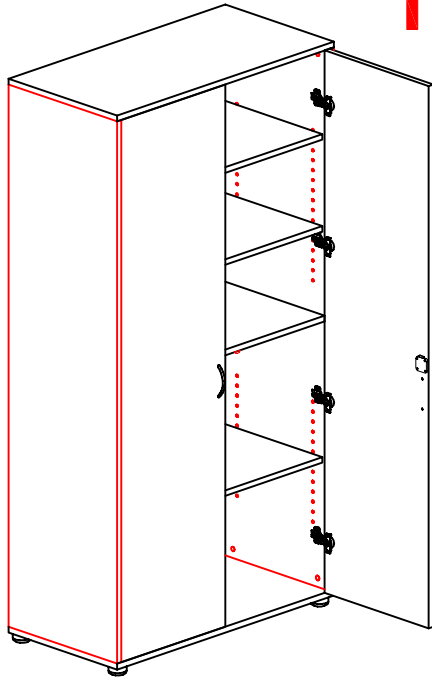


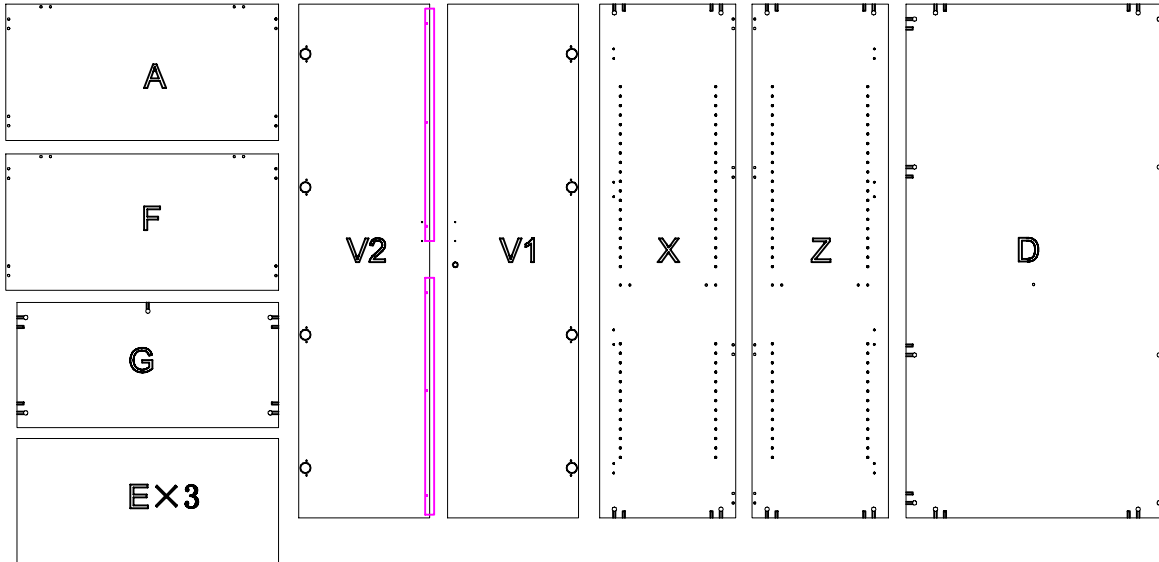
ASSEMBLY INSTRUCTIONS

CSC2FD

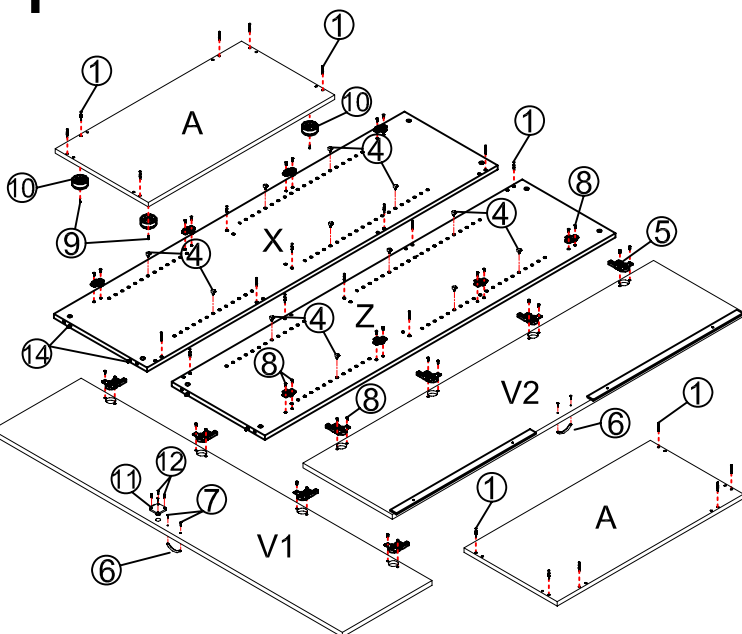
rapidline
FURNITURE FOR TODAY
2011-8-25



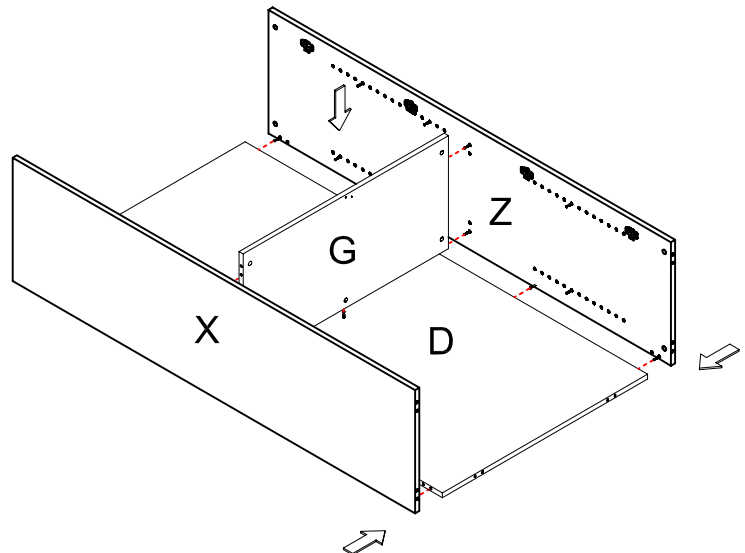
pin 1 25PCS	6×35 CAM 2 25PCS
Cam Cover 3 25PCS	Bolt Minifix 4 12PCS
Hinge&Mount Plate 5 8PCS	T-Handle 6 2PCS
Screw 7 4PCS	Screw 8 32PCS
Screw 9 4PCS	CUSHIOA 25H1 Aø52 10 4PCS
LOCK 11 1PCS	Screw 12 4PCS
Screw 13 2PCS	



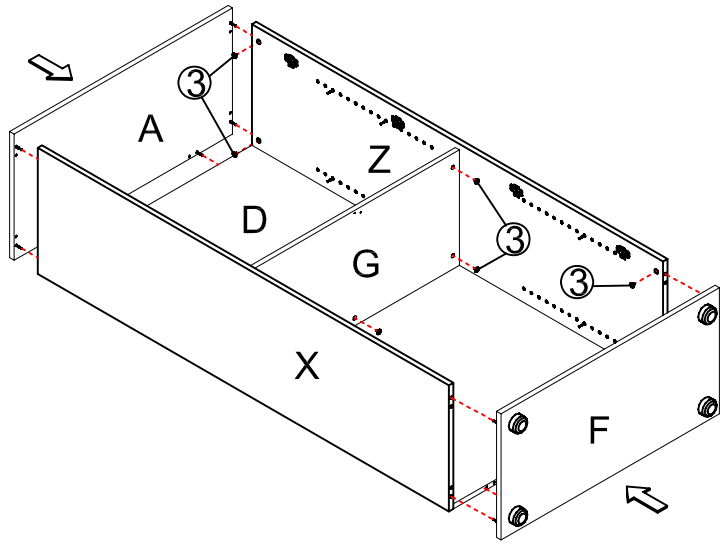
1



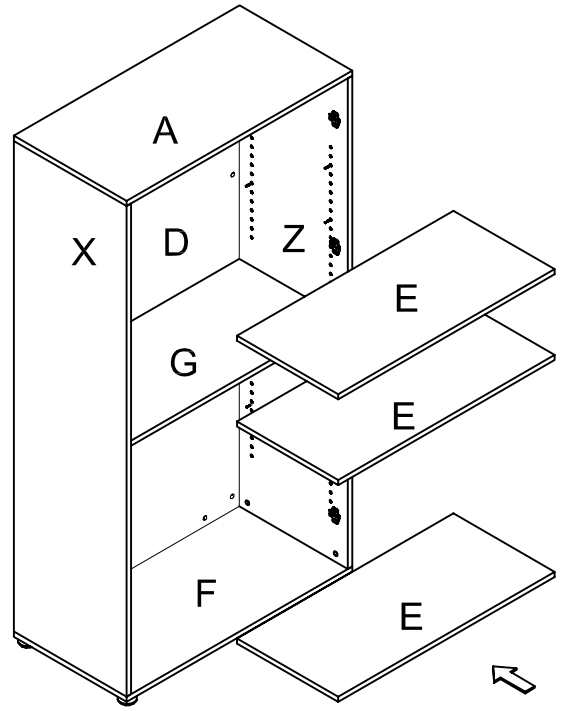
2



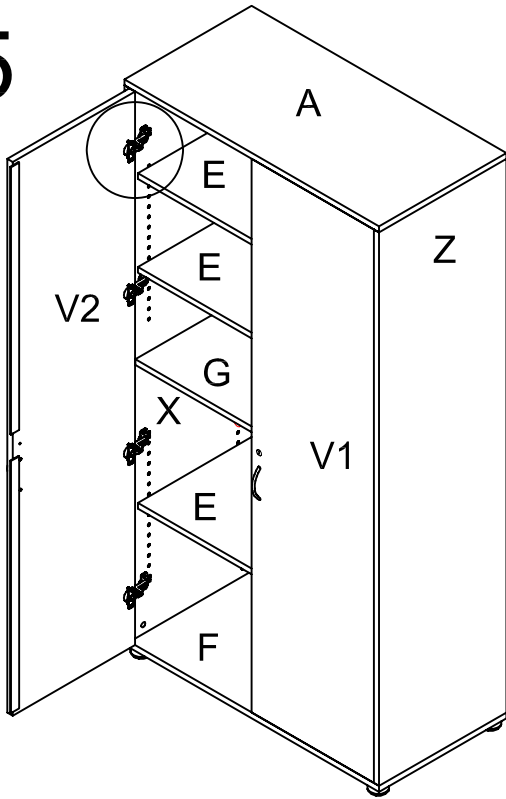
3



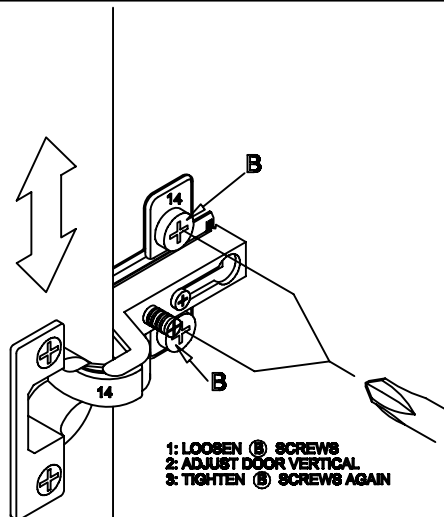
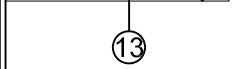
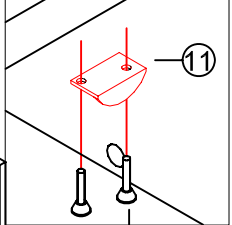
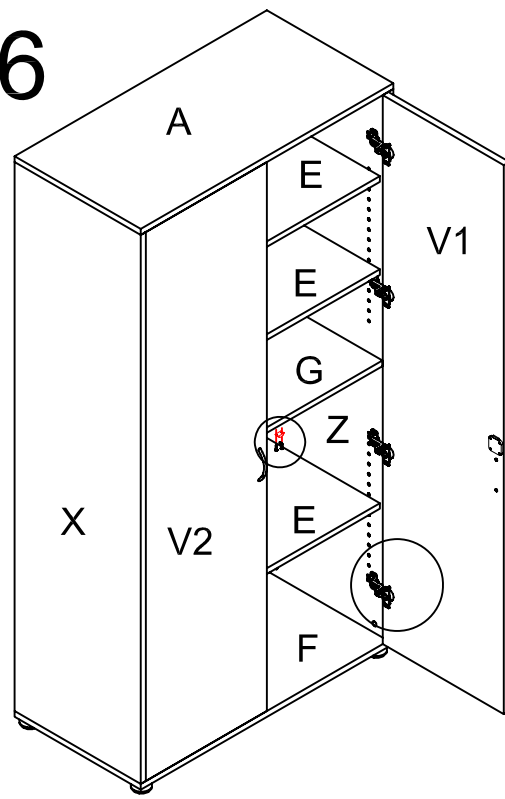
4



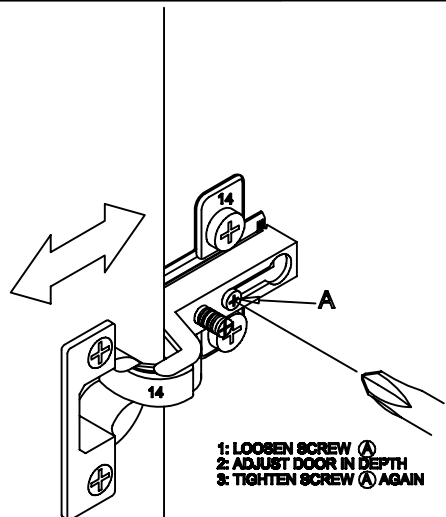
5



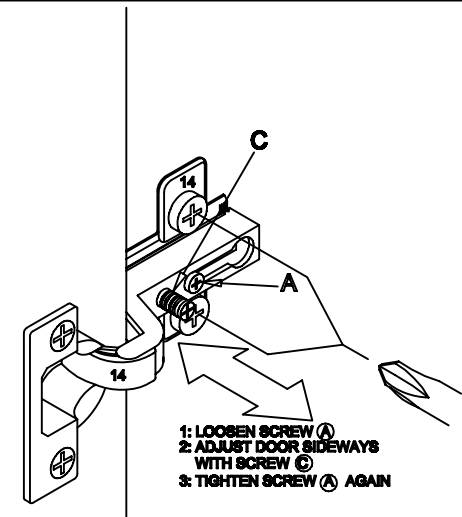
6



1: LOOSEN SCREW B
2: ADJUST DOOR VERTICAL
3: TIGHTEN SCREW B AGAIN



1: LOOSEN SCREW A
2: ADJUST DOOR IN DEPTH
3: TIGHTEN SCREW A AGAIN



1: LOOSEN SCREW C
2: ADJUST DOOR SIDEWAYS WITH SCREW C
3: TIGHTEN SCREW C AGAIN